

6

5

4

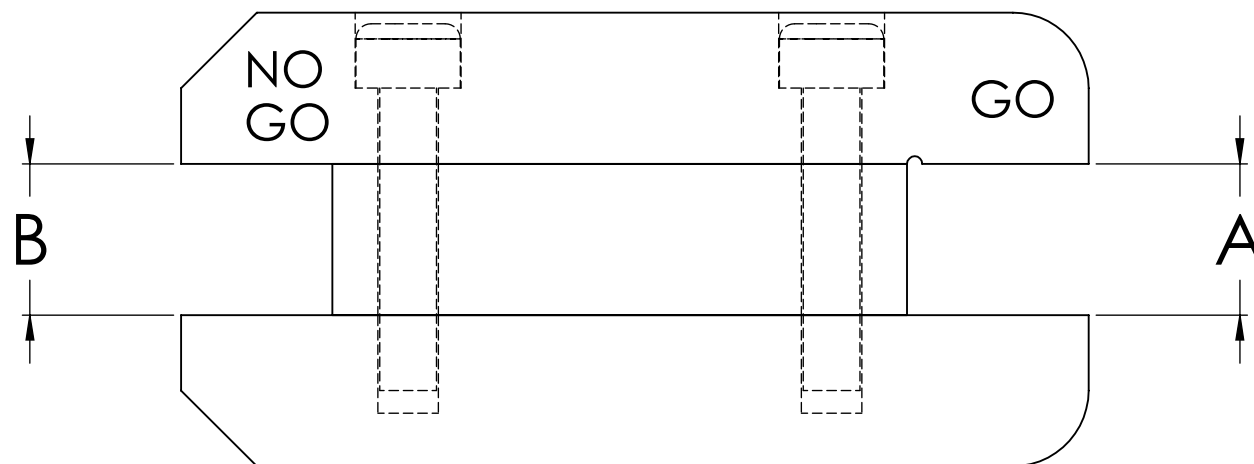
3

2

1

D

D



C

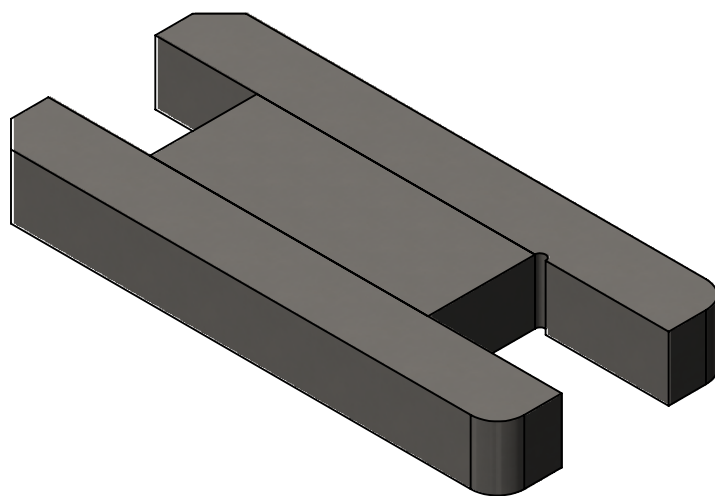
C

Tolerance to BS969 unless otherwise stated

CODE	Min:0.00 - Max:6.35	
	A (GO)	B (NOGO)
BUSG1		

B

B



A

A

DIMENSIONS ARE IN MILLIMETERS

	NAME	DATE
DRAWN	D.Fletcher	25/07/2019

TITLE:
Built up snap gauge
0.00 - 6.35 Order
Template

MATERIAL:
Tool Steel

Yorkshire Precision Gauges
Hatfield
Doncaster
England
DN7 6QF

**YORKSHIRE
PRECISION
GAUGES**

t: +44 (0)1302 840 303
f: +44 (0)1302 843 570
Gauges@ypg.co.uk
<http://www.ypg.co.uk/>

DWG. NO.
BUSG-002

SCALE: 2:1

SHEET 1 OF 1

6

5

4

3

2

1