

6

5

4

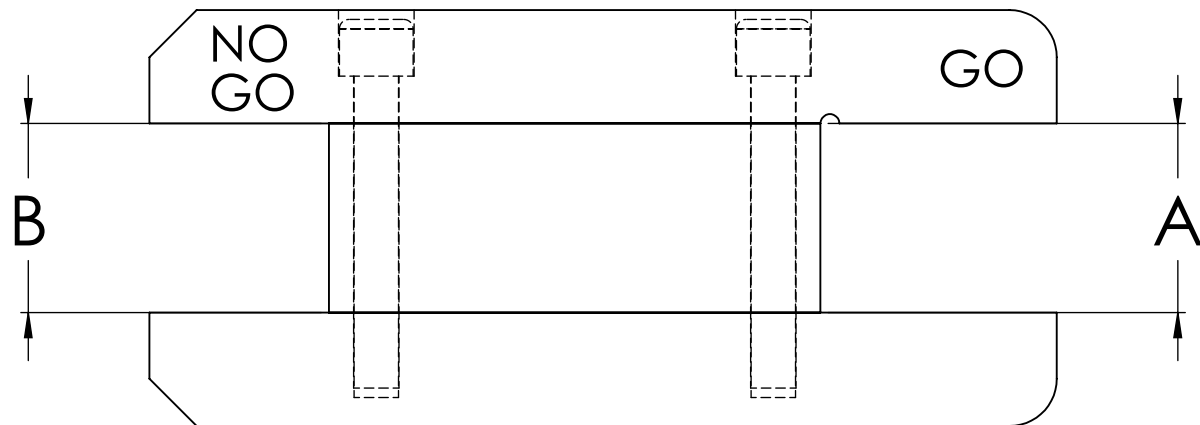
3

2

1

D

D



C

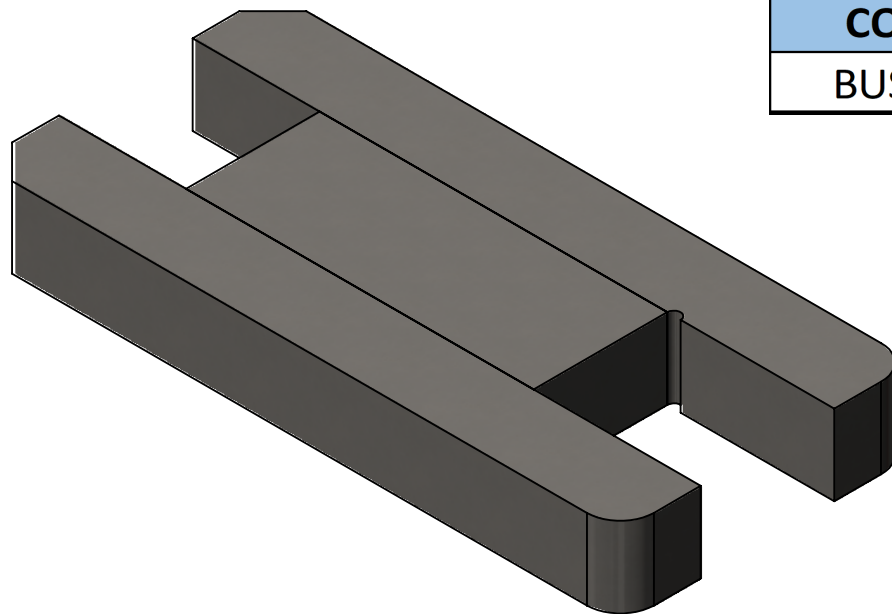
C

Tolerance to BS969 unless otherwise stated

CODE	Min:6.35 - Max:25.4	
	A (GO)	B (NOGO)
BUSG2		


B

B



A

A

DIMENSIONS ARE IN MILLIMETERS			Yorkshire Precision Gauges Hatfield Doncaster England DN7 6QF	
	NAME	DATE		
DRAWN	D.Fletcher	26/07/2019	DWG. NO. BUSG-003	t: +44 (0)1302 840 303 f: +44 (0)1302 843 570 Gauges@ypg.co.uk http://www.ypg.co.uk/
TITLE: Built up snap gauge 6.35 - 25.4 Order Template				
MATERIAL: Tool Steel			SHEET 1 OF 1	

6

5

4

3

2

1