

6

5

4

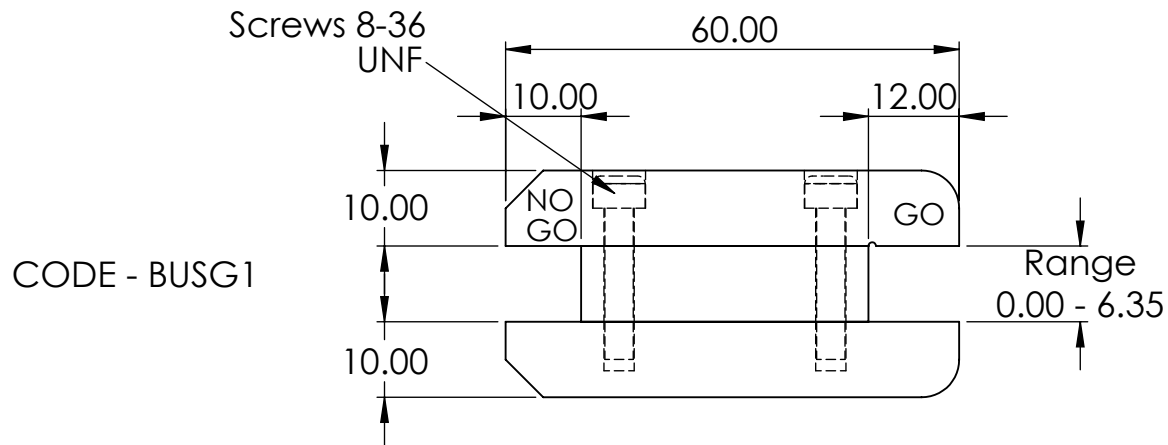
3

2

1

D

D

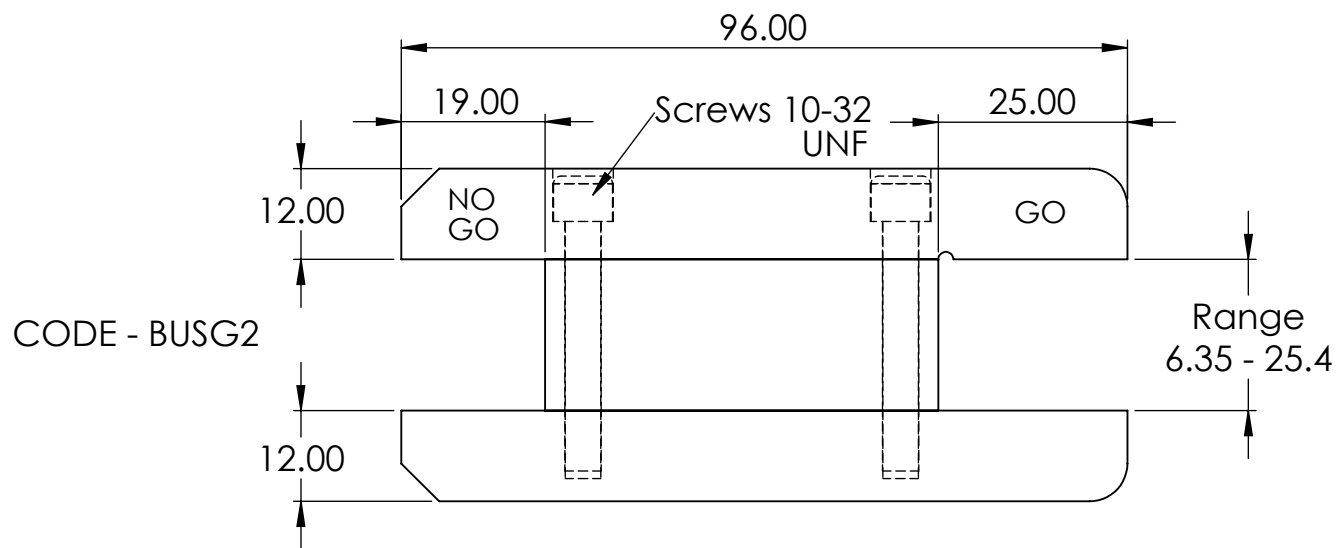


CODE - BUSG1

Range  
0.00 - 6.35

C

C



CODE - BUSG2

Range  
6.35 - 25.4

B

B

A

A

DIMENSIONS ARE IN MILLIMETERS		
NAME	DATE	
DRAWN D.Fletcher	24/07/2019	
TITLE: Built up snap gauge 1 + 2		
MATERIAL: Tool Steel		

Yorkshire Precision Gauges  
Hatfield  
Doncaster  
England  
DN7 6QF



DWG. NO.  
**BUSG-001**

t: +44 (0)1302 840 303  
f: +44 (0)1302 843 570  
Gauges@ypg.co.uk  
<http://www.ypg.co.uk/>

SCALE: 1:1

SHEET 1 OF 1

6

5

4

3

2

1