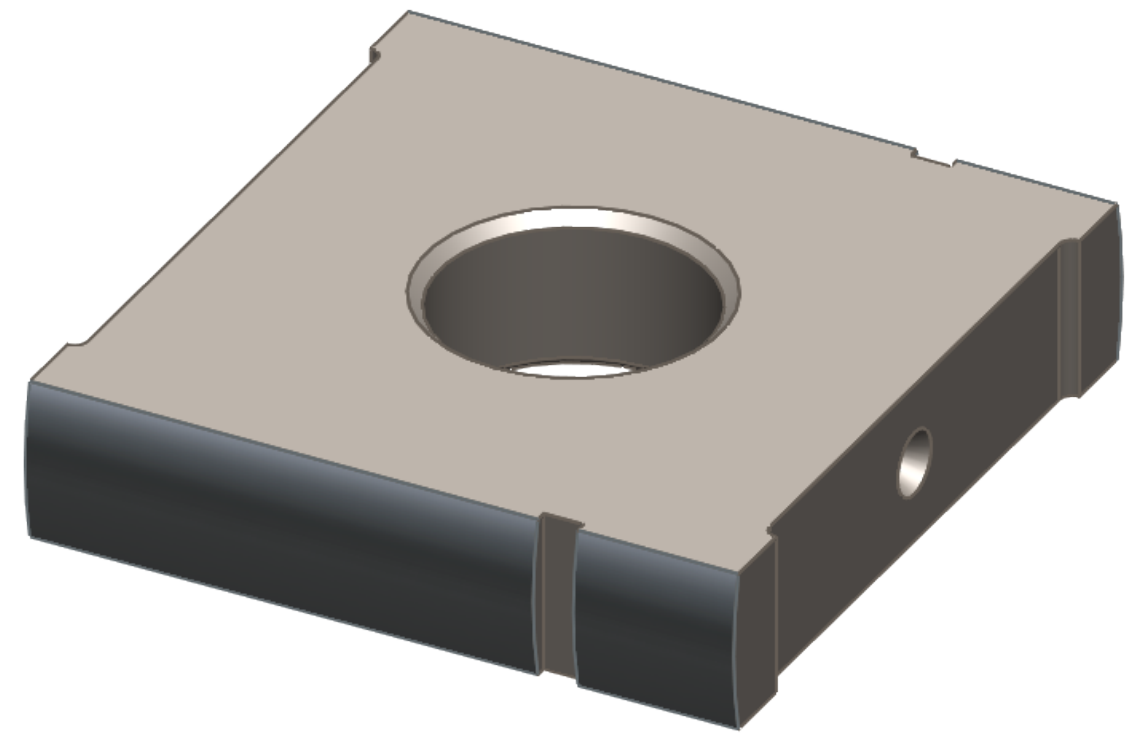
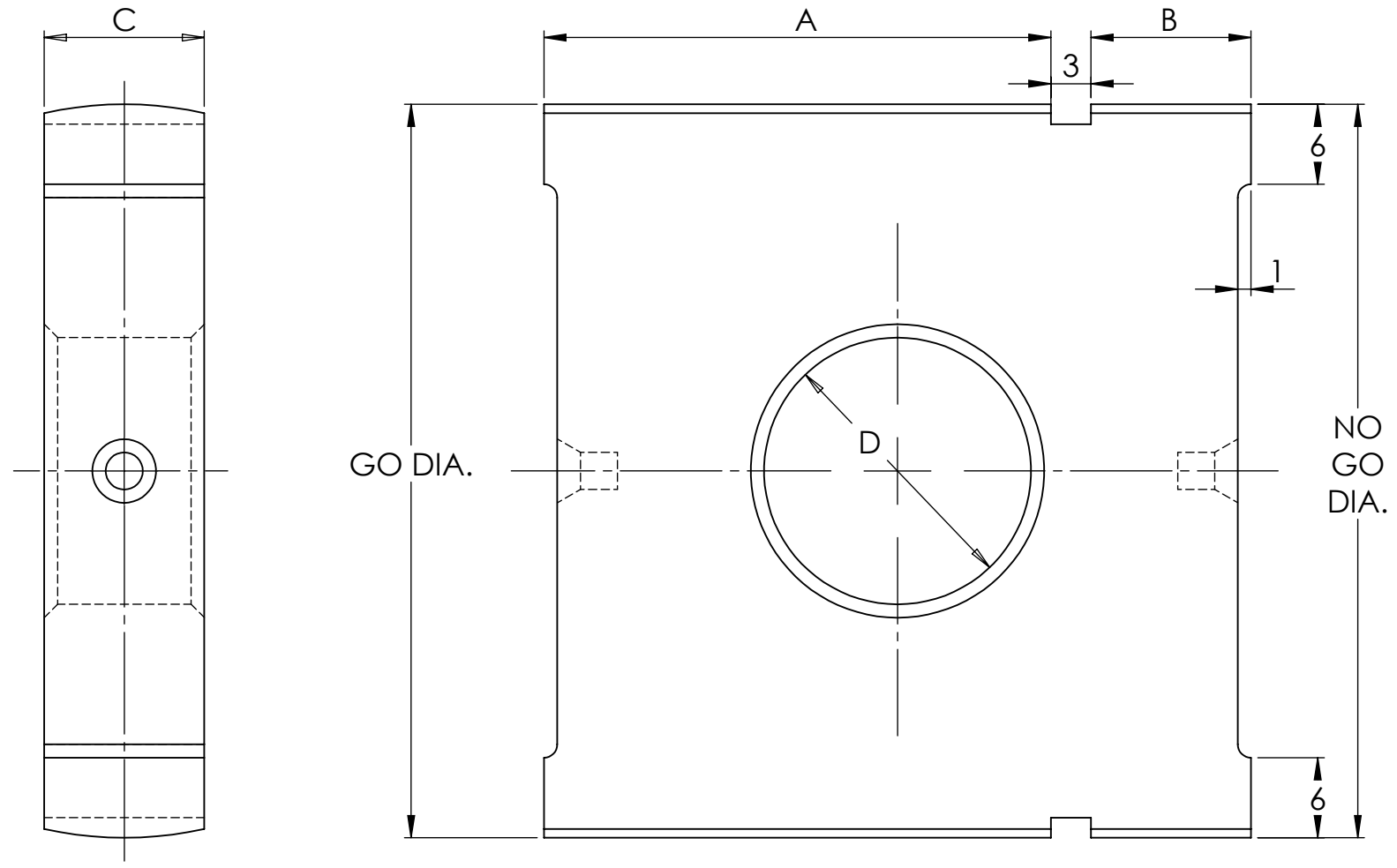


4

3

2

1



| CODE | GAUGE DIAMETER | | A | B | C | D | STD. LENGTH NOM. TOL. |
|-------|----------------|---------------------|----|----|----|----|--------------------------|
| | ABOVE | UP TO AND INCLUDING | | | | | |
| FPG 1 | 38 | 51 | 38 | 12 | 12 | 20 | 41.8 |
| FPG 2 | 51 | 63 | 38 | 12 | 12 | 20 | 45.5 |
| FPG 3 | 63 | 89 | 50 | 20 | 12 | 25 | 57.1 |
| FPG 4 | 89 | 114 | 50 | 20 | 12 | 38 | 61.7 |
| FPG 5 | 114 | 140 | 50 | 20 | 20 | 38 | 66.7 |
| FPG 6 | 140 | 165 | 50 | 20 | 30 | 38 | 71.2 |

UNLESS OTHERWISE STATED ALL CHAMFERS ARE 1 X 45

DIMENSIONS ARE IN MILLIMETERS

| | NAME | DATE |
|---------|------------|------------|
| DRAWN | D.Fletcher | 21/02/2018 |
| CHECKED | | |

TITLE:

FLAT TYPE PLUG

MATERIAL: Tool Steel

Yorkshire Precision Gauges
 Hatfield
 Doncaster
 England
 DN7 6QF



t: +44 (0)1302 840 303
 f: +44 (0)1302 843 570
 Gauges@ypg.co.uk
 http://www.ypg-ltd.com

DWG. NO.
FTPG-001

SCALE: 2:1

SHEET 1 OF 1

4

3

2

1

B

B

A

A